

# TECHNICAL DATA SHEET

## SABIK 500 / 500E | High Efficiency Whole House Heat Recovery System

A



### KEY FEATURES

- ✓ Low Specific Fan Power (SFP) down to 0.64 W/l/s and high thermal efficiency up to 89%
- ✓ Integral mechanical bypass - automatic or manual
- ✓ Frost protection
- ✓ Integral humidity sensor
- ✓ Programmable
- ✓ On-unit configuration for handling
- ✓ 2 year warranty
- ✓ Variety of optional extras
- ✓ Choice of heat exchanger: sensible (500) or enthalpy (500 E).

### PRODUCT

The Sabik 500 / 500E is a high efficiency, whole house heat recovery system.

### APPLICATION SUITABILITY

The Sabik 500 / 500E is ideal for residential properties to provide a constant supply of filtered, tempered air and maintain stable humidity levels. With maximum airflow capacity of 601 m<sup>3</sup>/hr, the unit is also able to be handed on site for ultimate flexibility. Passivhaus certified [with optional extras].

### PERFORMANCE

Maximum Flow Rate	Maximum Flow Rate at 100Pa
Max 601 m <sup>3</sup> /hr	550 m <sup>3</sup> /hr at 100 Pa

### PRODUCT CHARACTERISTICS DATABASE (PCDB)

Exhaust Terminal Configuration	Specific Fan Power (W/l/s)		Heat Recovery Efficiency (%)	
	500	500 E	500	500 E
Kitchen + 1 wet room	0.77	0.71	89	84
Kitchen + 2 wet rooms	0.70	0.65	89	84
Kitchen + 3 wet rooms	0.73	0.64	87	82
Kitchen + 4 wet rooms	0.79	0.75	86	81
Kitchen + 5 wet rooms	0.88	0.87	85	80
Kitchen + 6 wet rooms	1.02	1.00	84	78
Kitchen + 7 wet rooms	1.19	1.18	85	77

### TECHNICAL SPECIFICATIONS

	500	500 E
Maximum Flow Rate l/s (m3/hr)	167 (601)	
Heat Exchanger	Sensible	Enthalpy
Max Efficiency %	89	84
Fans	Backward Curved	
Specific Fan Power (W/l/s)	Down to 0.70	Down to 0.64
Electrical Supply	230V / 1PH / 50Hz	
Max Power Consumption (W)	265	
Protection Class	IP21	
Supply Filter	G4 ISO Coarse 65%, optional F7 ePM1 70%	
Extract Filter	G4 ISO Coarse 65%	
Spigot (mm)	180 (150mm reducer kit included)	
Dimensions (mm)	700 x 1046 x 753	
Weight (kg)	56	

SAP 2012

# TECHNICAL DATA SHEET

## SABIK 500 / 500E | High Efficiency Whole House Heat Recovery System

### SOUND POWER

% of Max Flow	Airflow	dB(A) @ 3m hemispherical			dB(A) @ 3m spherical
		Duct 'from dwelling'	Duct 'to dwelling'	Casing Breakout	Casing Breakout
25%	39l/s @ 27Pa	21.36	14.76	20.66	17.66
35%	51l/s @ 47Pa	28.86	18.16	23.26	20.26
64%	94l/s @ 159Pa	40.66	37.06	35.26	32.26
84%	123l/s @ 270Pa	48.36	38.76	40.16	37.16

### INSTALLATION

A full installation guide is enclosed with all products; or can be sent separately in advance if required. The unit is capable of being wall mounted with the wall mounting kit. The Sabik 500/500E incorporates Ø180mm extract and supply spigots: 150mm reducer kit provided..

### MOTOR

The unit incorporates high efficiency EC motors to provide the lowest possible SFP and unit running costs with sealed for life ball bearings and is designed to operate continuously at a pre-set 'background' rate.

### FAN

EC motors power the centrifugal backward curved fan impellers.

### HEAT EXCHANGE CELL

There are two options for Sabik, a Sensible heat exchange cell [SABIK350 and 500] or an Enthalpy heat exchange [SABIK350 E and SABIK500 E]. Both are highly efficient counterflow cells.

### SERVICING / MAINTENANCE

Supply and extract filters are located within the unit. The unit incorporates a heat exchange cell for life.

### FILTRATION

The unit incorporates 2 x G4 ISO Coarse 65% filters with the option of an F7 ePM1 70% supply filter.

### WARRANTY

The unit is covered by a 2 year warranty subject to the specified maintenance and servicing.

### SUMMER BYPASS & FROST PROTECTION

The Sabik 500 / 500 E unit incorporates a mechanical summer bypass. The bypass contributes to an improved comfort level in summer and is controlled automatically by measuring indoor and outdoor temperatures. Intelligent frost protection can be provided through the optional preheater to guarantee high efficiency, even at extremely low temperatures. This energy-efficient frost protection helps to achieve significant energy savings per year. The unit provides frost protection via an airflow imbalance should a preheater not be installed.

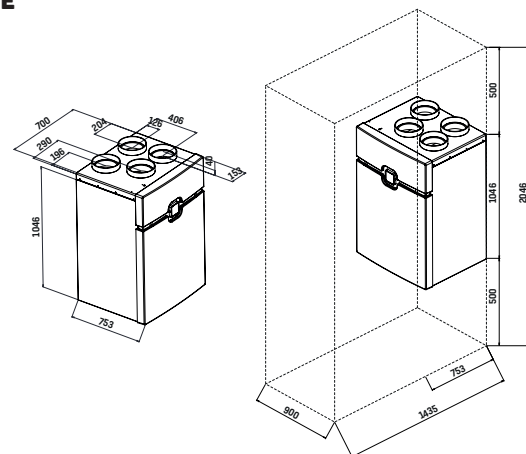
### CONSTANT FLOW CONTROL (OPTIONAL)

The 'constant flow' technology ensures maximum efficiency and that the commissioned airflow rate is always delivered despite any resistance encountered in the ductwork or filters. The 'constant flow control' system also enables commissioning to be carried out much quicker and more easily, saving on installation costs.

### CONTROLS

The unit is automatically controlled by the integral relative humidity sensor but can also be manually controlled with the wired touchscreen controller which is supplied as standard. Other sensors such as VOC and CO2 are also available.

### SIZE



### PERFORMANCE CURVE

