

envirovent®

ENERGISAVA® 300 & 400

High Efficiency Whole House Heat Recovery Unit



ENERGISAVA® 300 & 400

High Efficiency Whole House Heat Recovery Systems



About

The energiSava® 300 and 400 series are ideal for residential properties to provide a constant supply of filtered, tempered air and maintain stable humidity levels. With maximum airflow capacities of 400 and 300 m³/h respectively, they are available in left-handed and right-handed versions with a range of options for connecting the ducts. In addition to the comprehensive standard version, a 'Plus version' is also available which offers additional connection options, such as a CO₂ sensor.

- ✦ Delivering up to 89% thermal efficiency
- ✦ Constant flow technology to deliver the required airflow at all times
- ✦ Exceptionally low noise levels
- ✦ Mechanical Summer bypass as standard
- ✦ Passive House Certified
- ✦ Intelligent frost protection
- ✦ Ideal for larger properties
- ✦ High thermal efficiency
- ✦ Available in left or right hand configuration
- ✦ Ease of access to high efficiency ISO Coarse 60% filters (optional ePM1 50%)
- ✦ Numerous control options
- ✦ 2 year warranty



Future-proof

Providing all year round good indoor air quality is vital for a healthy and comfortable living environment. Regulations relating to energy efficiency and low noise levels are becoming increasingly stringent. EnviroVent have responded with the introduction of the energiSava® 300 & 400 Series. These high efficient whole house heat recovery products have been designed not only with the optimum performance for today's requirements but with forward-thinking innovation for future demands in ventilation.

Summer Bypass & Frost Protection

The energiSava® 300 and 400 units come as standard with bypass and preheater. The bypass contributes to an improved comfort level in summer and is controlled automatically by measuring indoor and outdoor temperatures. The intelligent frost protection with preheater guarantees the high efficiency, even at extremely low temperatures. This energy-efficient frost protection helps to achieve significant energy savings per year.

Constant Flow Control

The 'constant flow' technology ensures maximum efficiency and that the commissioned airflow rate is always delivered despite any resistance encountered in the ductwork or filters. The 'constant flow control' system also enables commissioning to be carried out much quicker and more easily, saving on installation costs.

Silent Running

Engineered with aerodynamic fans to run at lower rates enables noise to be reduced and minimalised, whilst lower internal resistance delivers exceptionally quiet running.



Control Options

The energiSava® 300 and 400 units can be controlled with a 4-way switch with filter indication or a wireless remote control. Alternatively, using the intelligent control module with timer, or the relative humidity sensor.



Passive House Certified



The energiSava® 300 & 400 products are certified by the Passive Haus Institute and manufactured with the latest energy-saving technology. The Passive House concept is the only internationally recognised, performance-based energy standard in construction.

Ease of Maintenance & Commissioning

The units come as standard with two ISO Coarse 60% filters that can be easily changed. These filters remove 95% of the dust from the air.



A high-performance fine dust filter is optionally available, ideal for people with respiratory conditions or allergies. The intelligent digital display panel located on the unit ensures the utmost ease of commissioning.



Technical Data

Ventilation capacity at 150 Pa (m ³ /h)	ESAVA300 - Max 300 ESAVA400 - Max 400
Rated power at 70% of the max appliance capacity (W)	ESAVA300 40 at 210 m ³ /h & 50 Pa ESAVA400 64 at 280 m ³ /h & 50 Pa
Dimensions Duct Connection (mm)	ESAVA300 - Ø150/160 ESAVA400 - Ø180
Weight	38Kg
Temperature efficiency	89%
Constant flow control	✓
Mechanical bypass	✓
Standard preheater	✓
Connections provisions for humidity sensor	✓
Available as Plus version*	✓

SAP Appendix Q Performance

Exhaust Terminal Configuration - Kitchen + Additional Wet Rooms	Specific Fan Power (W/l/s)		Heat Recovery Efficiency (%)	
	ES300	ES400	ES300	ES400
Kitchen + 1 additional wet room	0.66	0.63	89	89
Kitchen + 2 additional wet rooms	0.62	0.61	87	89
Kitchen + 3 additional wet rooms	0.66	0.66	86	87
Kitchen + 4 additional wet rooms	0.74	0.74	85	86
Kitchen + 5 additional wet rooms	0.86	0.84	84	85
Kitchen + 6 additional wet rooms	1.04	0.95	83	84



Technical Specification

Product

The energiSava® 300 and 400 shall be a high efficient, constant flow whole house heat recovery systems.

Application Suitability

Both the energiSava® 300 and 400 are ideal for residential properties to provide a constant supply of filtered, tempered air and maintain stable humidity levels. With maximum airflow capacities of 300m³/h and 400m³/h respectively, the units shall be available in left-handed and right-handed versions with a range of options for connecting the ducts. A 'Plus' version shall also be available featuring additional connection options such as a CO₂ sensor.

Controls

The unit shall be controlled with the choice of either a 4-way switch with filter indication (1 supplied as standard) or a wireless remote control. Alternatively, using the intelligent control module with timer, or the relative humidity sensor.

Motor

The unit shall incorporate Ultra Low Watt EC motor technology to provide the lowest possible SFP and unit running costs with sealed for life ball bearings and designed to operate continuously at a pre-set 'background' rate.

Fan

EC motors shall power the centrifugal backward curved fan impellers.

Heat Exchange Cell

The heat exchange cell shall be a high efficiency counter flow cell.

Summer Bypass & Frost Protection

Both the energiSava® 300 and 400 units shall incorporate a 100% mechanical summer bypass and preheater as standard. The bypass contributes to an improved comfort level in summer and is controlled automatically by measuring indoor and outdoor temperatures. The intelligent frost protection with preheater guarantees the high efficiency, even at extremely low temperatures. This energy-efficient frost protection helps to achieve significant energy savings per year.

Constant Flow Control

The 'constant flow' technology ensures maximum efficiency and that the commissioned airflow rate is always delivered despite any resistance encountered in the ductwork or filters. The 'constant flow control' system also enables commissioning to be carried out much quicker and more easily, saving on installation costs.

Filtration

The unit shall incorporate 2 x ISO Coarse 60% filters with the option of an ePM1 50% supply filter.

Servicing / Maintenance

EnviroVent recommend that units should be serviced annually to maintain optimal performance and that filters should be checked regularly and cleaned as and when required.

Warranty

The EnviroVent EnergiSava 300 units are covered by a parts only 2-year warranty. Please note that conditions and exclusions apply to the warranty which can be found at www.envirovent.com/warranty

Installation

Full installation guide shall be enclosed with all products; or sent separately in advance if required. The unit shall be capable of being wall mounted with the wall mounted suspension kit. The unit shall be suitable for installation in a utility room or cupboard space. The unit shall incorporate the intelligent digital display panel for ease of commissioning. The energiSava® 300 shall incorporate Ø150/160mm extract and supply spigots. The energiSava® 400 shall incorporate Ø180mm extract and supply spigots.

Accreditation

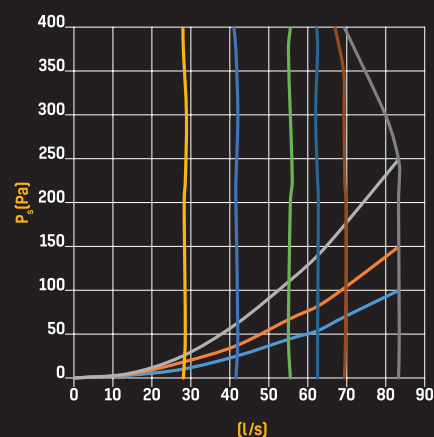
SAP PCDB Listed

Conforms to the requirements of the UK Building Regulations and the Technical Standards for Ventilation

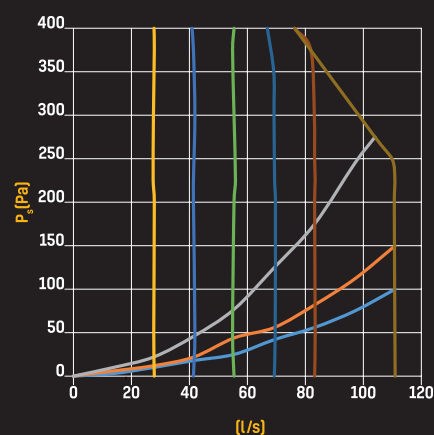
Conforms to requirements of the EC council directives relating to Electromagnetic Compatibility and Electrical Safety (LDV and EMC)

CE Marked.

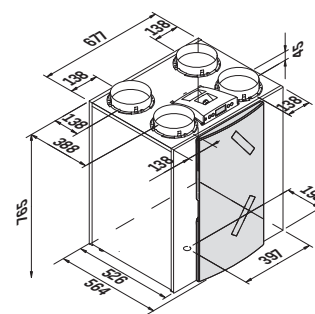
Performance Curves energiSava® 300



energiSava® 400



Dimensions (mm)



Options & Ancillaries

DESCRIPTION	CODE(S)
4 way remote control switch and receiver	SWHBKRFSET-4
4 way remote control switch	SWHBKRF-4
4 way wired switch with filter indication	SWHBK-4W
Humidity sensor, duct mounted	SENSORBK-H
CO ₂ sensor (PLUS versions only)	SENSORBK-CO2
2 x ISO Coarse 60% filters	FILTER-ES300/400-G4
ePM1 50% filters	FILTER-ES300/400-G4/F

envirovent®

Leaders in the manufacture of innovation and sustainable ventilation

EnviroVent Ltd
Harrogate West
Business Park Unit 1
Harrogate
HG3 2SP

T / 01423 810 810
E / enquiries@envirovent.com
W / www.envirovent.com

Due to our policy of continuous innovation and improvement, EnviroVent reserves the right to alter products specification and appearance without notice.

E&OE | MKT ENV824 - V4 - 02.12.25

Copyright © EnviroVent Ltd 2025



Follow us on
facebook



Find us on
LinkedIn



Watch us on
Youtube



Follow us on
Instagram



**Scan me to
check out the
most up to date
version**

<https://viewer.ipaper.io/sp/envirovent/energisa-va-300-400-product-brochure/?page=4>

