

TECHNICAL DATA SHEET MIV Loft Mounted Unit | Whole House Positive Input Ventilation Unit



PRODUCT

Whole house multiple input ventilation system for properties with a loft space.

APPLICATIONS

Sited in a loft space, the unit delivers air to multiple rooms of a property to provide displacement ventilation in order to improve indoor air quality and resolve condensation related problems.

MAINTENANCE

EnviroVent recommend that filters are checked regularly and replaced as required. Areas with high particulate matter for example industrial areas, or higher-grade filters will become clogged quicker and will need replacing more frequently. Spare and replacement filters must be genuine EnviroVent parts.

ACCREDITATIONS

- Conforms to the requirements of the UK Building Regulations and the Technical Standards for Ventilation
- Conforms to requirements of the EC council directives
- Relating to Electromagnetic Compatibility and Electrical Safety (LDV and EMC). CE Marked

INTEGRAL 'INTELLIGENT LOW TEMPERATURE' COMFORT HEATER

Powered by a single supply and capable of holding incoming air temperatures accurately - around 10°C. The integral heater element is manufactured in a solid tubular sheath material and not in open wire format.

PERFORMANCE & SOUND LEVELS

Incoming Air Temp. (°C)	Fan Speed Setting	Specific Fan Power (SFP)	Airflow (l/s)	Power Usage (W) (3)	Outlet Noise dB(A) @3m
<19 (1) (2)	1	0.24	15	4	<15
	2	0.22	20	4	<15
	3	0.21	26	6	<15
	4	0.25	34	9	<15

1. Above 19°C the unit increases airflow rates per setting by 10%.
2. The unit switches to Summer Mode at air temperatures at or above 25°C.
3. Power usage with Comfort Heater disabled.

TECHNICAL DATA SHEET

MIV Loft Mounted Unit | Whole House Positive Input Ventilation Unit

INSTALLATION

Full installation guide is enclosed with all products; or sent separately in advance - if required.

CONSTRUCTION

Durable ABS plastic body.

MOTOR

Incorporates the Ultra Low Watt DC motor technology with sealed for life ball bearings designed to operate continuously at a pre-set 'background' rate.

FAN

Is a 140 x 220mm centre mounted forward curved centrifugal fan.

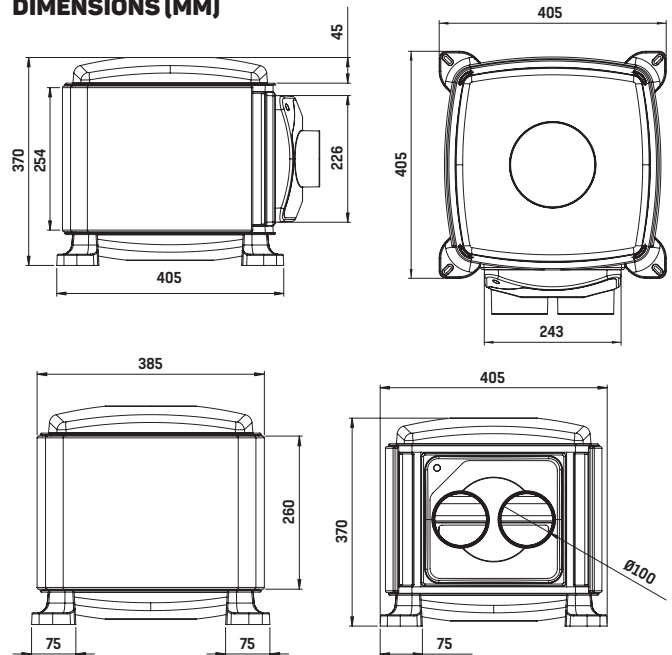
FILTER

Is a synthetic fibre based filter made to ISO Coarse 65% standard in accordance with ISO 16890 standard ratings. The filter should conform to all European Union and US fire classification standards (e.g. DIN 53438-F1 and UL900-class 2) and be self-extinguishing.

WARRANTY

The MIV Loft Mounted units are covered by a parts only 5-year warranty. Please note that conditions and exclusions apply to the warranty which can be found at www.envirovent.com/warranty

DIMENSIONS (MM)



PERFORMANCE CURVE

