

envirovent®

# SILENT 100 *Design*

Ultra Quiet WC & Bathroom Fans



SILENT 100  
*Design*

# SILENT 100 Design

Ultra Quiet WC & Bathroom Fans

CAN BE INSTALLED IN ZONE 1



## About

Range of 100mm domestic axial extract fans for wall or ceiling installations, designed to solve ventilation problems in WC's and bathrooms. Fitted with motors mounted on silent elastic blocks, the fans deliver incredibly silent running and exceptional performance with stylish features.

- Sealed for life ball bearings
- Silent elastic blocks
- IP45 rated\*
- Backdraught shutter and airflow guide vanes as standard
- Standard Thermal Overload Protection (S.T.O.P)
- Available in variety of colours
- 5 year warranty
- Elegant design
- Quiet running
- High performance
- Pullcord option
- Significant energy savings
- Complies with local building regulations

\*Note: Pullcord version is IP44 Rated



## Optional Features

### Adjustable Timer

After disconnection, the shut off time can be delayed between 1 and 30 minutes.



### Adjustable Humidity Sensor

The level of humidity for the bathroom can be chosen from between 60% and 90% RH.



### Pullcord

Supplied with pullcord override.



### Various Colours

Certain models are available in various colour options.



ORDER CODE	Standard								Swarovski®				
	SIL DES 100 S	SIL DES 100 P	SIL DES 100 T	SIL DES 100 HT	SIL DES 100 SS	SIL DES 100 PS	SIL DES 100 TS	SIL DES 100 HTS	SIL DES 100 WK	SIL DES 100 IK	SIL DES 100 CK	SIL DES 100 GK	SIL DES 100 SK
Pilot Light	.	.	.	.	.	.	.	.	.	.	.	.	.
Sealed For Life Ball Bearings	.	.	.	.	.	.	.	.	.	.	.	.	.
Silent Elastic Blocks	.	.	.	.	.	.	.	.	.	.	.	.	.
Backdraught Shutter	.	.	.	.	.	.	.	.	.	.	.	.	.
Adjustable Timer			.	.			.	.	.	.	.	.	.
Pullcord		.				.	.	.					
Adjustable Humidity Sensor				.				.					
White	.	.	.	.					.				
Silver					.	.	.	.					.
Ivory									.				
Champagne											.		
Grey												.	

\*SILDES100P is IP44 rated

## SILENT technology just got even more appealing

Incorporating patented silent technology, the SILENT 100 Design fan brings style and elegance to any modern bathroom. With whisper-quiet noise levels of only 26.5 dB(A) and an incredibly low power consumption of only 8 Watts, the SILENT 100 Design is the perfect solution for today's energy-efficient demands. Highly versatile, the fan is suitable for wall and ceiling installations and is available with timer and humidity sensor options. The fans are supplied with four coloured interchangeable front panel trims.

### Swarovski® SILENT 100 Design

Made with beautiful Swarovski® crystals, the new SILENT 100 Design Swarovski® is the must-have for any style-conscious designer or specifier. Available in Ivory, Champagne, Silver, Grey and White.



Our standard SILENT 100 Design fan is now available in a wide range of optional colours. **Contact us on 0345 27 27 810 for more details.**



## Technical Specification

### Product

The SILENT 100 Design is an innovative domestic axial extract fan designed to offer a low level of noise supplied in a 230V format suitable for small rooms and bathrooms. The fan is fitted with an LED strip light, backdraught shutter and airflow guide vanes as standard. The fans are supplied with four coloured interchangeable front panel trims.

### Application Suitability

The SILENT 100 Design can be wall or ceiling mounted to meet the Building Regulations - Part F (England), Scottish Building Standards and Part K (Northern Ireland). The fan will ventilate domestic small rooms and bathrooms.

### Performance

MODEL	Silent 100 Design
Speed (RPM)	2400
Watts (W)	8
Voltage (V) 50Hz	230
Airflow l/s (m <sup>3</sup> /h)	22 (85)
dB(A) @ 3m	26.5
Weight (Kg)	0.65
IP Rating	IP45
Ø Duct (mm)	100

### Installation

Full installation guide is enclosed with all products; or sent separately in advance - if required.

### Motor

Is a 230V 50Hz or A/C motor, which is assembled on silent elastic blocks and fitted with ball bearings for enhanced working life.

### Fan

The impeller is axial flow type.

### Servicing / Maintenance

The extract fan only requires periodical cleaning using a cloth soaked with a soft detergent.

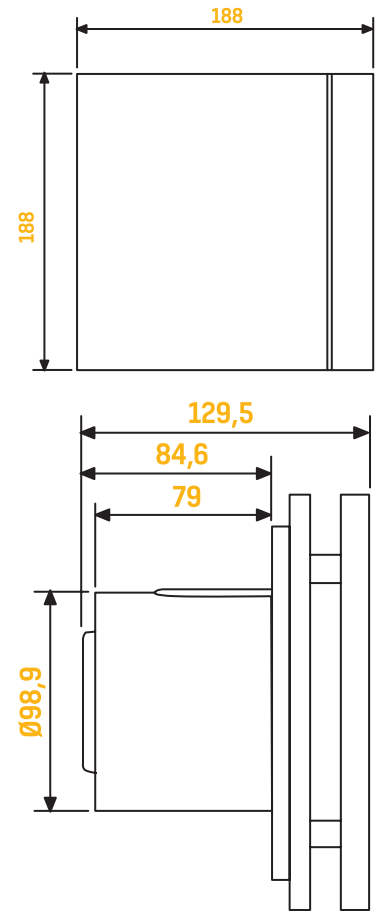
### Warranty

The SILENT 100 Design is covered by a 5 year warranty.

### Compliance

CE Marked.

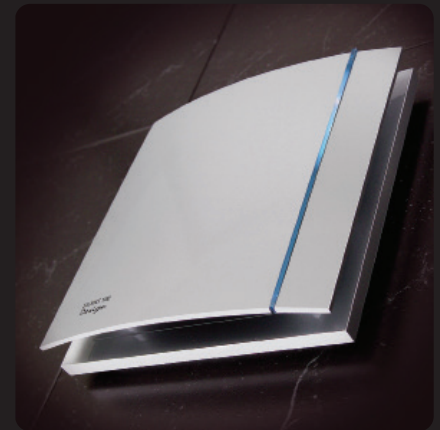
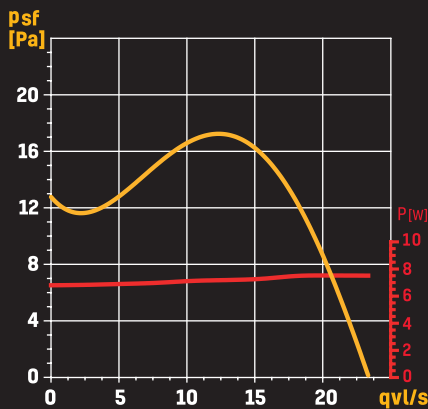
## Dimensions (mm)



## Options & Ancillaries

DESCRIPTION	CODE(S)
STANDARD WALL KIT	1RDEFWAK100
FIXED LOUVRE GRILLE	1RDGRILL100

## Performance Curve



# envirovent®

Leaders in the manufacture of innovation and sustainable ventilation

EnviroVent Ltd  
EnviroVent House  
Hornbeam Business Park  
Harrogate  
HG2 8PA

T / 0345 27 27 807  
F / 01423 301 022  
E / enquiries@envirovent.com  
W / www.envirovent.com

Due to our policy of continuous innovation and improvement, EnviroVent reserves the right to alter products specification and appearance without notice.

E&OE | MKT ENV412 - V1 - 21.01.20

Copyright © EnviroVent Ltd 2020



Follow us on  
**facebook**



Follow us on  
**twitter**



Watch us on  
**Youtube**



Follow us on  
**Instagram**



Follow us on  
**Pinterest**



Find us on  
**LinkedIn**

