

# TECHNICAL DATA SHEET

## PIV Air Source | Whole House Positive Input Ventilation Unit



### PRODUCT

Whole house positive input ventilation system for properties with a loft space.

### APPLICATIONS

The PIV Air Source Unit has the additional facility to draw air from atmosphere during the warmer months of the year when the temperature in the loft space exceeds 25°C. This provides efficient perception cooling into the property and maintains the required level of ventilation continuously throughout the year.

### MAINTENANCE

EnviroVent recommend that filters are checked regularly and replaced as required. Areas with high particulate matter for example industrial areas, or higher-grade filters will become clogged quicker and will need replacing more frequently. Spare and replacement filters must be genuine EnviroVent parts.

### PERFORMANCE & SOUND LEVELS

Incoming Air Temp. [°C]	Fan Speed Setting	Specific Fan Power (SFP)	Airflow [l/s]	Power Usage [W] [3]	Outlet Noise dB(A) @3m
<19 [1] [2]	1	0.14	22	3	<15
	2	0.14	29	4	<15
	3	0.15	35	5	<15
	4	0.18	43	8	15
<25 [3]	1	0.28	28	7.9	-
	2	0.26	35	9.2	-
	3	0.25	44	10.9	-
	4	0.27	52	14	-

1. Above 19°C the unit increases airflow rates per setting by 10%.  
 2. The unit switches to Summer Mode at air temperatures at or above 25°C.  
 3. Power usage with Comfort Heater disabled.

# TECHNICAL DATA SHEET

## PIV Air Source | Whole House Positive Input Ventilation Unit

### CONSTRUCTION

Durable ABS plastic body.

### MOTOR

Incorporates the Ultra Low Watt DC motor technology with sealed for life ball bearings designed to operate continuously at a pre-set 'background' rate.

### FAN

Is a 140 x 220mm centre mounted forward curved centrifugal fan.

### FILTER

Is a synthetic fibre based filter made to ISO 65% standard in accordance with ISO 16890 standard ratings, conforming to all European Union and US fire classification standards (e.g. DIN 53438-F1 and UL900-class 2) and be self-extinguishing.

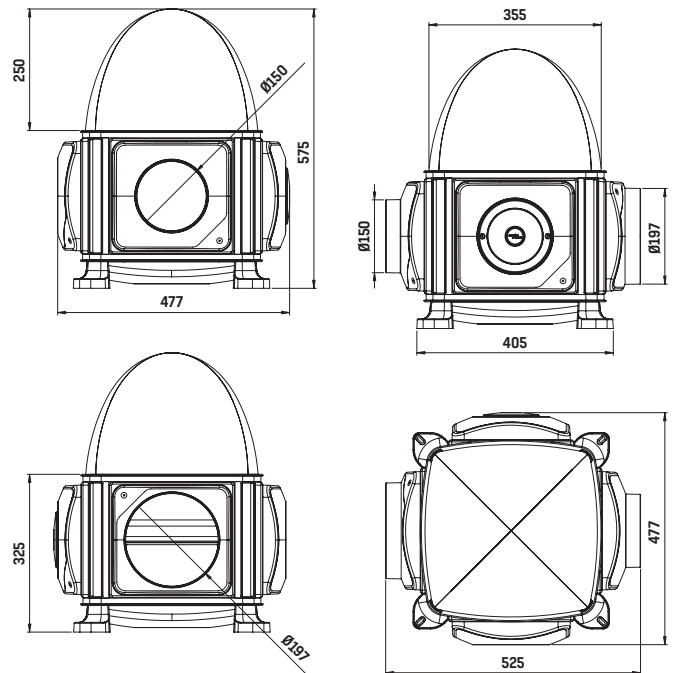
### INSTALLATION

Full installation guide is enclosed with all products; or sent separately in advance - if required. For fitment in 3 floor properties above 4.5m, EVL-H-W or EVL-W shall be fitted with a fire rated diffuser (contact EnviroVent for specific fire diffuser codes)

### WARRANTY

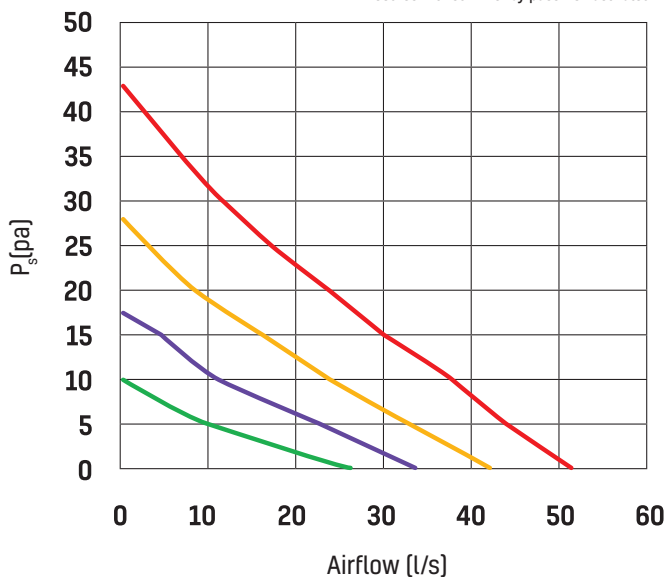
The EnviroVent PIV AirSource units are covered by a parts only 5-year warranty. Please note that conditions and exclusions apply to the warranty which can be found at [www.envirovent.com/warranty](http://www.envirovent.com/warranty).

### DIMENSIONS (MM)



### PERFORMANCE CURVES

PIV Air Source with summer by-pass NOT activated



PIV Air Source with summer by-pass activated

