

envirovent

SILENT DUAL

Instruction leaflet



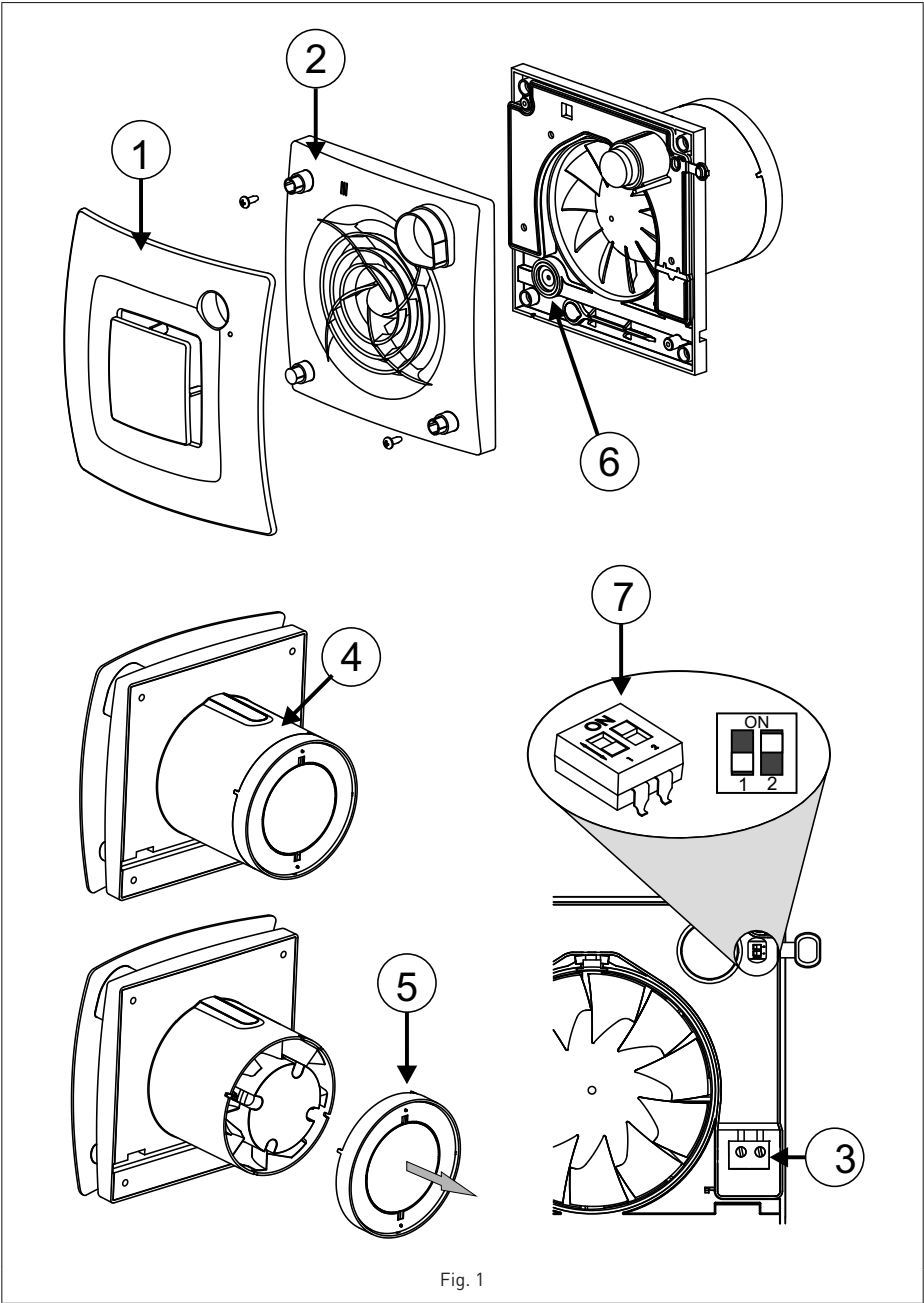


Fig. 1

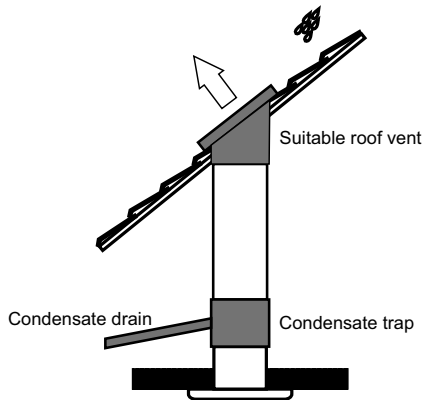
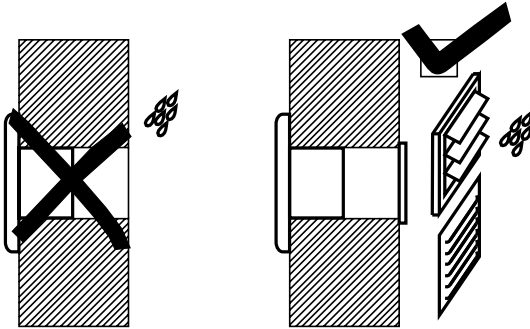
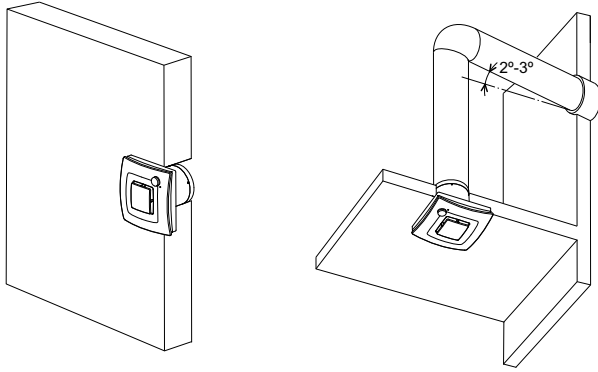


Fig. 2

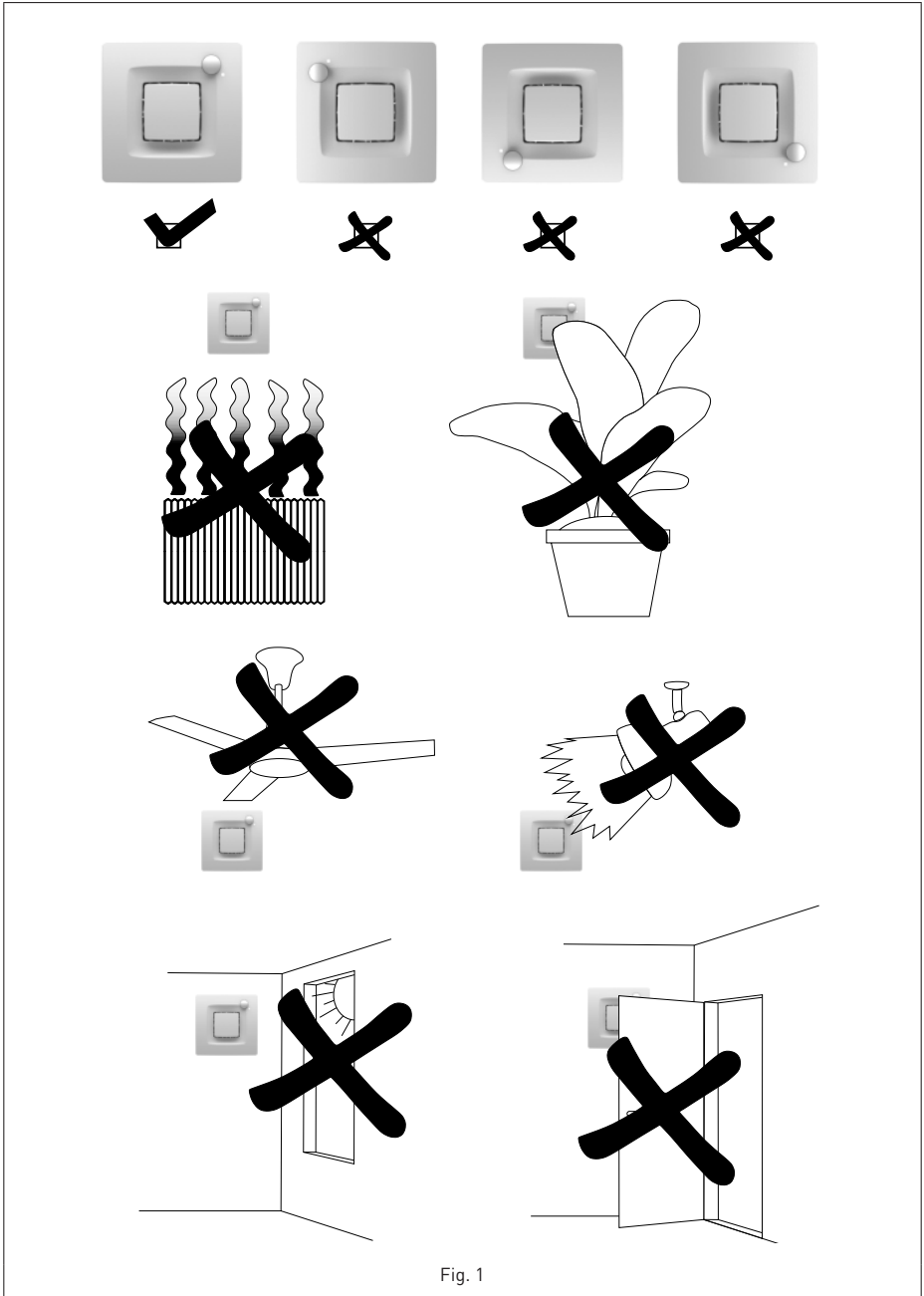


Fig. 1

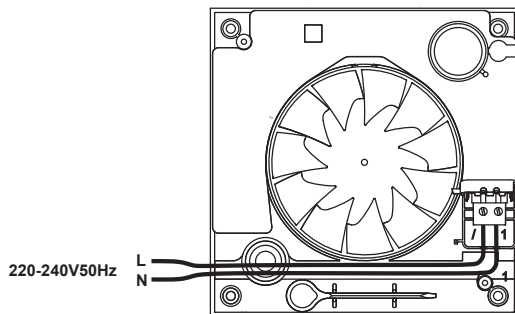
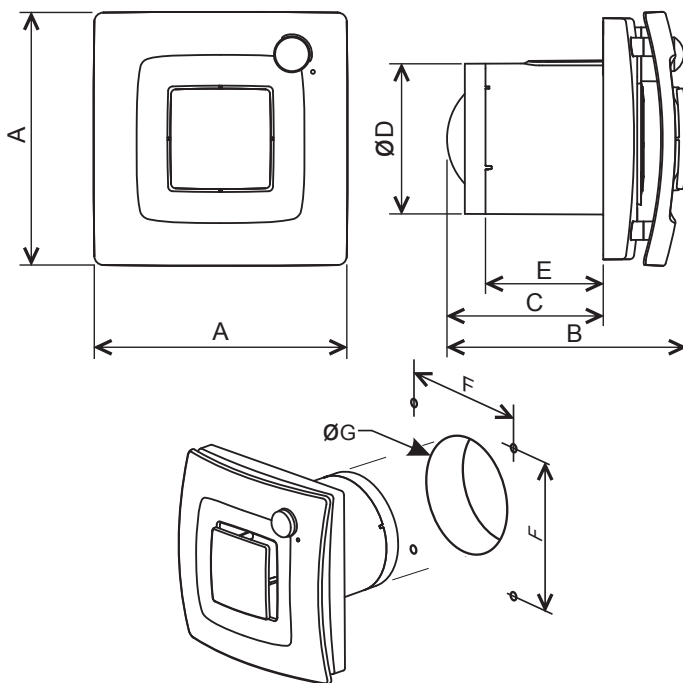


Fig. 4



Model	A	B	C	ØD	E	F	ØG
SILDUAL-100	167	157	103	99	77,5	134	105

SILENT DUAL axial extractor fans

Please read this instruction booklet carefully before installing or starting up the product. It contains important information on personal and user safety measures to be followed whilst installing, using and carrying out maintenance work on the equipment. The SILENT DUAL extractor fans have been manufactured following current technical safety regulations, production and quality standards as laid down by the international Quality Standard ISO 9001. All components have been checked and every one of the final products will have been individually tested at the end of the manufacturing process.

Check that the product is in perfect condition while unpacking. Make sure that the product corresponds to the one you have ordered and that the details on the instruction plate fulfil your requirements.

The installation must be carried out in accordance with the electrical standards and relevant Building Regulations in force in your country. Once the product has been installed, pass this booklet to the end user.

RECOMMENDATIONS

IMPORTANT: Before installing and wiring the unit, ensure that the mains supply is disconnected.

Working ambient temperature for fan equipment should not be exceeded. Typically, this falls within -5°C to $+40^{\circ}\text{C}$, unless stated otherwise.

The spigot cannot be connected to a duct which is used to extract smoke from gas or any other fuel appliance.

The extractor must not be used in explosive or corrosive atmospheres.

If the SILENT DUAL fan is operating in a room where there is a boiler or any other kind of combustion device that requires airflow to work, check that the air inlets to the room are sufficient.

This appliance can be used by children aged from 8 years and above and persons with reduced physical, sensory or mental capabilities or lack of experience and knowledge if they have been given supervision or instruction concerning use of the appliance in a safe way and understand the hazards involved. Children shall not play with the appliance.

Cleaning and user maintenance shall not be made by children without supervision.

Installation (fig.1):

- 1- Front grille
- 2- Front grille support
- 3- Connection terminals
- 4- Outlet
- 5- Removable backdraught shutter
- 6- Cable entry
- 7- Setting dip switches

The SILENT DUAL is suitable for wall or ceiling mounting and can either extract directly to atmosphere or via a ducted system (fig.2).



The SILENT DUAL is provided with a PIR (passive infra-red) detector. To work properly, the extractor must be installed in such a way that detection can be carried out easily, avoiding the situations indicated in fig.3.

The unit can be mounted on the wall or ceiling using the 4 rawl plugs and the screws provided. Make a hole in the wall or ceiling of diameter:
 - SILENT DUAL-100: 105 to 107 mm.

If using the envirovent high rise wall kit, please refer to kit for core drill size.

If the unit is to be installed in a ducted system, use the following standard diameter of duct:
 - SILENT DUAL-100: 100 mm.

Ensure that there are no obstructions to the airflow and that the impeller turns freely.

Fix the extractor fan to the wall in such a way that it is not distorted in order to avoid noise generation or problems with the rotation of the impeller.

The SILENT DUAL is an extractor fan designed to operate either continuously at low speed or intermittently (see section "operation").



In continuous operation, the backdraught (5) shutter is not necessary and can be removed.

If it works intermittently, keep the backdraught shutter in place and make sure it opens freely and has not been damaged in transit. Introduce the mains cable through the cable entry (6) and fix it to the wall.

ELECTRICAL CONNECTION



This appliance is considered to be suitable for use in countries having a warm damp equable climate as specified in IEC 60721-2-1. It may also be used in other countries.

The SILENT DUAL is an extractor fan designed for a single-phase supply, with voltage and frequency as indicated on the rating plate of the unit.

The units are manufactured with double elec-

trical insulation (Class II) and therefore they do not need an earth connection. The electrical installation must include a double pole switch with a contact clearance of at least 3 mm. Once the cable has been connected proceed using the electrical wiring diagram fig.4.



For the extractor fan to work properly, it must be permanently powered.

OPERATION

The SILENT DUAL is an extractor fan equipped with a PIR (passive infra-red) detector and a humidity sensor. This sensor permanently controls the humidity level of the room where it is installed, automatically adapting the start-up threshold and the speed of the extractor according to the real environmental conditions throughout the day and peaks in humidity (showers).



The humidity control takes priority over the PIR detector. The PIR detector has priority over the permanent control of the environmental conditions.

Depending on the initial setting, you can choose between two operation modes, either intermittent or continuous.

Intermittent operation



To select this operation, place the dip-switch "1" in the "ON" position.

The extractor fan will stop.

The extractor starts automatically when a slow increase in humidity is detected. It starts at a speed that is in direct proportion to the humidity level in the room until the level returns to the start-up threshold. The extractor also starts automatically at medium speed (75% of the maximum speed) when movement is detected and will continue to operate for the length of time set by the adjustable "run-on" timer, after being triggered by the PIR.

Two set periods are available:
 2 minutes and 15 minutes.

To select the set period of the “run on” timer, place the dip-switch “2”:



In “OFF” position for 2 minutes.



In “ON” position for 15 minutes.

If no more movement has been detected once the run-on time, set by the timer is passed and the humidity level is below the start-up threshold, the extractor stops automatically.

If the extractor detects a rise in humidity (shower), the fan is boosted to high speed and operates at this speed until the humidity level drops below the start-up threshold level.

Continuous operation



To select this operation, place the dip-switch “1” in the “OFF” position.

Operation is similar to intermittent operation with the difference that the extractor does not stop but runs continuously on trickle speed (43% of the maximum speed).

MAINTENANCE

Fan equipment should be electrically isolated and locked out before any work starts.

The extractor fan only requires periodical cleaning using a cloth lightly impregnated with a soft detergent.

END OF LIFE DISPOSAL

In accordance with EEC Standards and our responsibility for future generations, we are obliged to recycle all the materials we can.

Therefore, please deposit all waste material and packaging in their corresponding recycling containers and hand in the replaced units to the nearest handler of this type of waste product.

The fan is mainly made of steel, copper and plastic. These components should be recycling in the following categories:

- Steel and iron

- Plastics
- Electronic scrap

AFTER SALES SERVICE

After Sales Service recommend you do not dismantle or remove any other parts than those mentioned, as any tampering would automatically cancel the guarantee. If you detect any fault, contact our dedicated Technical team on 01423 810810.

REGULATORY INFORMATION

Appliances in the SILENT DUAL range comply with the following Directives:

- Low Voltage Directive 2014/35/EU
- Electromagnetic Compatibility Directive 2014/30/EU
- ROHS Directive 2011/65/EU

WARRANTY

We appreciate you choosing this quality envirovent product. We are confident that you will be delighted with the performance of the system and the resulting improvement in air quality in your home after it has been installed.

The envirovent Silent Dual units are covered by a parts only 5-year warranty. Please note that conditions and exclusions apply to the warranty which can be found at www.envirovent.com/warranty.

Your unit serial number

What should I do if I have a problem?

If you encounter any problems with your unit, please fee free to call us on 01423 810 810.

envirovent

envirovent Ltd
Harrogate West Business Park
Unit 1 Bardner Bank
Killinghall
Harrogate
HG3 2SP

01423 810 810
info@envirovent.com

www.envirovent.com

Ref. 9023054303
ENV1258

