

envirovent[®]
experts in ventilation

STYLVENT RANGE

Axial Flow Fan



envirovent

STYLVENT RANGE

Axial Flow Fan - 150, 230 & 300

- HIGH AIRFLOW PERFORMANCE
- IPX4 RATED
- POWERFUL SINGLE PHASE 230V-50HZ MOTOR
- TOUGH ABS PLASTIC GRILLE AND SHUTTER
- 2-YEAR WARRANTY
- AUTOMATIC, THERMALLY ACTUATED SHUTTER
- EXTRACT OR SUPPLY (MODEL DEPENDING)
- EASY INSTALLATION

CONTROLLER OPTIONS

CR-150

Control unit for all Stylvent fans. The control unit is fitted with:

- On/off switch for fan operation
- On/off switch for shutter operation



REB-1R

Control unit for the Stylvent 230 and 300. The control unit is fitted with:

- Speed controller to adjust the airflow of the unit
- Switch to reverse airflow from either Extract or Supply ventilation

FEATURES

DC Motor Technology

All Stylvent fans are single speed operation, fitted with single-phase motors with thermal overload protection.

Reversible Airflow Direction

The airflow direction in the Stylvent 230 and 300 units can be reversed when paired with the REB-1R. This means they can either extract air or supply air, making them useful for many different scenarios.

ABOUT

The Stylvent range are axial flow fans that are suitable for either wall or window mounting.

The series comprises of 3 diameters: 150, 230 and 300 mm, including several operating options, making them ideally suited for a wide range of general residential, commercial and industrial exhaust or supply ventilation applications.



2 YEAR WARRANTY



IPX4 RATED



REVERSIBLE AIRFLOW



DC MOTOR TECHNOLOGY

TECHNICAL SPECIFICATION

Product

The Stylvent range are axial flow fans ideally suited for a wide range of general residential and commercial extract or supply ventilation.

Applications

The fan can be wall or window mounted. Performance

Installation

Full installation guide is enclosed with all products; or sent separately in advance - if required.

Motor

Single-phase motor 230V-50Hz with thermal overload protection.

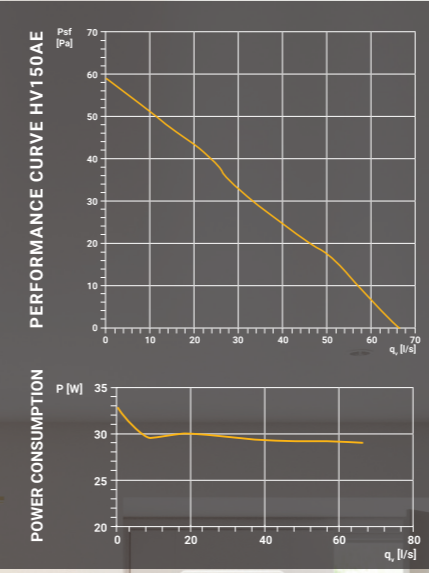
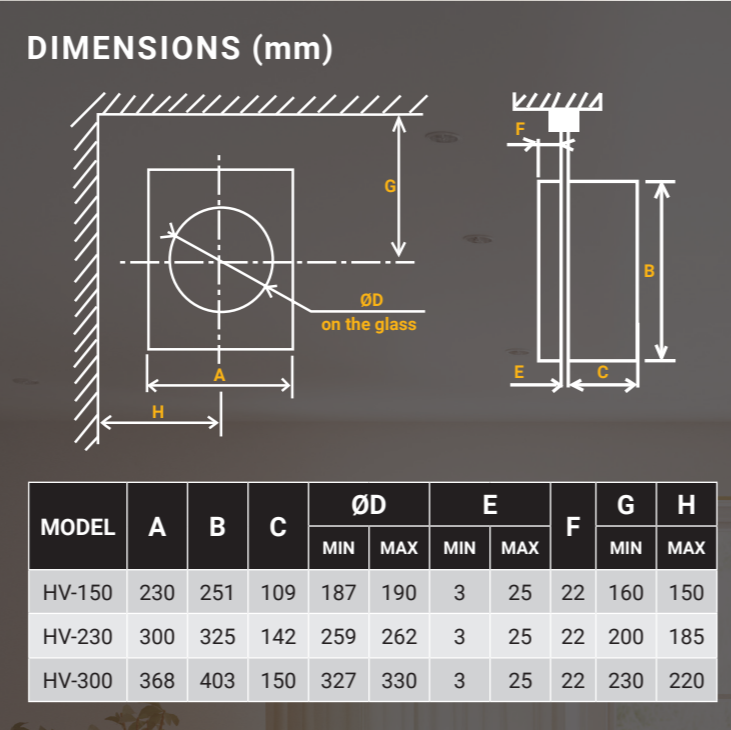
Servicing / Maintenance

The STYLVENT fan only requires periodical cleaning using a cloth impregnated with a soft detergent.

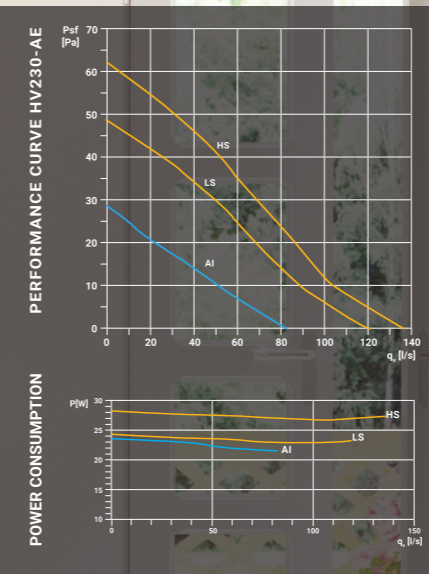
Warranty

The EnviroVent Stylvent range covered by a parts only 2-year warranty. Please note that conditions and exclusions apply to the warranty which can be found at www.envirovent.com/warranty





AIRFLOW (m³/hr)	AIRFLOW (l/s)	STATIC PRESSURE (Pa)	CONSUMED POWER (W)	SFP (W/l/s)
0	0	59	33	TBC
26	7	53	30	4.04
53	15	47	30	2.04
79	22	41	30	1.36
106	29	33	30	1.01
132	37	27	29	0.80
159	44	21	29	0.66
185	51	16	29	0.57
212	59	7	29	0.50
238	66	0	29	0.44



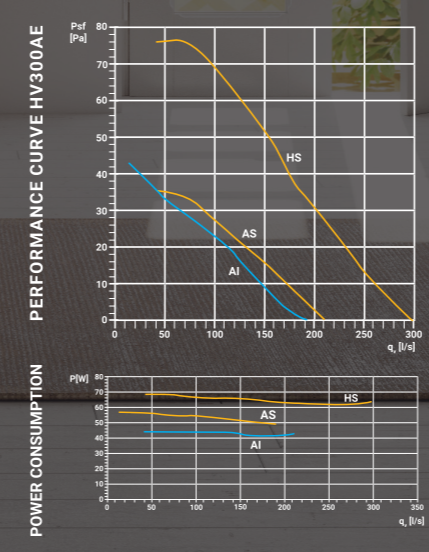
HIGH SPEED (HS)					LOW SPEED (LS)					AIR INTAKE (AI)				
Airflow (m³/hr)	Airflow (l/s)	Static Pressure (Pa)	Consumed Power (W)	SFP (W/l/s)	Airflow (m³/hr)	Airflow (l/s)	Static Pressure (Pa)	Consumed Power (W)	SFP (W/l/s)	Airflow (m³/hr)	Airflow (l/s)	Static Pressure (Pa)	Consumed Power (W)	SFP (W/l/s)
0	0	62	28	TBC	0	0	49	24	TBC	0	0	29	23	TBC
54	15	57	28	1.85	48	13	44	24	1.80	33	9	26	23	2.55
109	30	51	28	0.92	95	27	40	24	0.89	66	18	21	23	1.27
163	45	44	27	0.61	143	40	34	24	0.59	99	27	18	23	0.84
217	60	35	27	0.45	191	53	28	23	0.44	132	37	15	23	0.62
272	75	26	27	0.36	239	66	21	23	0.35	165	46	12	22	0.49
326	91	17	27	0.30	286	80	14	23	0.29	198	55	9	22	0.40
380	106	9	27	0.25	334	90	8	23	0.25	231	64	6	22	0.34
434	121	4	27	0.22	382	106	4	23	0.22	263	73	3	22	0.29
489	136	0	27	0.20	430	119	0	23	0.19	296	82	0	21	0.26

PERFORMANCE

MODEL	STYLEVENT 150	STYLEVENT 230	STYLEVENT 300
SPEED (RPM)	2350	1140	1150
POWER CONSUMPTION (W)	30	28	68
MAX AIRFLOW (l/s)	66	135	305
dB(A) @ 3m	39	40	46
WEIGHT (kg)	2	3.5	5.1
IP RATING	IPX4	IPX4	IPX4

ORDER CODES

MODEL	ORDER CODE
STYLEVENT 150	HV150AE
STYLEVENT 230	HV230AE
STYLEVENT 300	HV300AE



HIGH SPEED (HS)					LOW SPEED (LS)					AIR INTAKE (AI)				
Airflow (m³/hr)	Airflow (l/s)	Static Pressure (Pa)	Consumed Power (W)	SFP (W/l/s)	Airflow (m³/hr)	Airflow (l/s)	Static Pressure (Pa)	Consumed Power (W)	SFP (W/l/s)	Airflow (m³/hr)	Airflow (l/s)	Static Pressure (Pa)	Consumed Power (W)	SFP (W/l/s)
150	42	76	68	1.63	150	42	36	43	1.04	50	14	43	56	4.05
252	70	76	68	0.97	217	60	34	43	0.72	120	33	38	57	1.69
355	99	70	67	0.68	285	79	32	43	0.55	191	53	33	56	1.05
457	127	60	66	0.52	352	98	28	43	0.44	261	73	29	54	0.74
559	155	49	66	0.42	420	117	24	43	0.37	332	92	25	54	0.59
662	184	36	64	0.35	487	135	19	43	0.32	402	112	20	54	0.48
764	212	26	63	0.30	555	154	15	41	0.27	472	131	15	53	0.40
866	241	17	62	0.26	622	173	10	41	0.24	543	151	8	51	0.34
969	269	7	62	0.23	689	192	5	41	0.22	613	170	4	50	0.29
1071	297	0	64	0.21	757	210	0	42	0.20	684	190	0	49	0.26

envirovent[®]

experts in ventilation

EnviroVent Ltd
Harrogate West Business Park
Unit 1 Bardner Bank
Killinghall, Harrogate
HG3 2SP

T / 01423 810 810
E / enquiries@envirovent.com
W / www.envirovent.com

Due to our policy of continuous innovation and improvement, EnviroVent reserves the right to alter products specification and appearance without notice.

E&OE | MKT ENV603 - V3 - 17/10/2025

Copyright © EnviroVent Ltd 2025



Follow us on
[facebook](#)



Follow us on
[Instagram](#)



Watch us on
[Youtube](#)



Find us on
[LinkedIn](#)

