

envirovent®

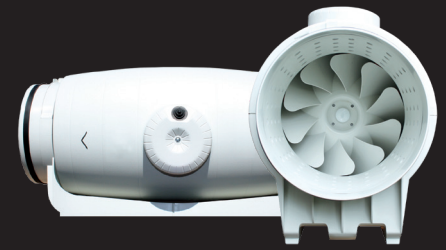
SILENT MV

Ultra Quiet In-Line Duct Fans



SILENT MV

Ultra Quiet In-Line Duct Fans



About

Ultra quiet and low profile helico-centrifugal in-line fans suitable for a wide range of domestic and commercial applications. Fitted with sound absorbent insulation and manufactured with an adjustable two speed 230V 50Hz motor*.

Easy to install and maintain, the SILENT MV fans guarantee exceptional performance with significant noise reduction.

***Except for the SILENT MV 160/100, which is fitted with a patented silent axial motor.**

- Sound absorbent insulation
- 360° rotating connection box
- Sealed for life ball bearings
- Fitted with a 2/3 speed motors
- 5 year warranty
- IP44 rated
- Incredibly silent running
- High performance
- Significant energy savings
- Complies with building regulations
- Flexible location
- Easy maintenance



PRESENTING THE WORLD'S QUIETEST IN-LINE FANS

Presenting the world's quietest in-line fan range in their class, the SILENT MV range creates a quantum leap forward in technology to improve the acoustic performance of up to 12 dB(A) compared with similar products on the market.

The SILENT MV range is the result of an intense R&D, technological and economic investment to ensure that you can be guaranteed of a product range that provides exceptional performance

with significant noise reduction. Following extensive aerodynamic testing, we have been able to not only reduce the amount of noise produced, but also ensure that the noise level that is actually emitted is at a far lower frequency, providing a quiet and ambient environment.

By installing the SILENT MV, you will never experience the disturbance of noisy ventilation again.

Versatility

The SILENT MV range offers one of the most versatile fan systems on the market. Due to its flexibility it can be used in a multitude of small to medium fan installations.

Especially advantageous in applications where the system may be running for long periods throughout the day, the acoustic benefits of the SILENT MV fans ensure that optimum comfort is achieved without the disturbance of noisy ventilation systems.

CLASSROOMS



OFFICES



PUBLIC SPACES



LIBRARIES



ONCE INSTALLED, YOU'LL NEVER KNOW IT EXISTS

Innovative Engineering

The SILENT MV has been designed with state of the art technology to achieve results to satisfy the most demanding specifier. The low profile and compact design of the helicocentrifugal fans enable them to be installed where space is restricted, such as false ceilings.

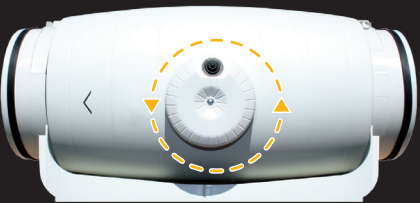
Unique Design

The unique perforated design of the casing directs sound waves into the high density sound absorbent material to prevent air leakage and minimise noise.



Rotating Connection Box

The connection box can be rotated 360° to enable the power cable to be easily connected.



Flexible Rubber Gaskets

Duct connections are constructed out of flexible rubber gaskets, which minimise sound and vibrations to the ducts.



Wall



Ceiling

How does it work?

Sound waves produced inside the SILENT MV are directed through the perforated inner cover and absorbed by the layer of sound absorbent material.

Ease of Maintenance

The central body of the SILENT MV can be easily dismantled from the connections to enable rapid maintenance, without the need to interfere with the ducting.

Ease of Installation



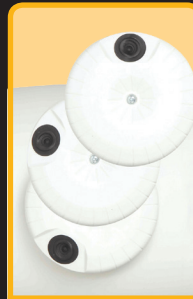
LOOSEN THE FIXING CLAMPS



OPEN CLAMPS ON BOTH SIDES



REMOVE THE FAN BODY



REMOVE THE TERMINAL BOX LID



WIRE THE UNIT



REPLACE BODY & TIGHTEN CLAMPS



The SILMV1300/250 and SILMV2000/315 are in-line mixed flow fans with a low profile to meet ventilation needs in commercial and industrial applications, especially where sound may be a problem. Constructed from sheet steel with epoxy polyester paint, acoustic insulation [M0] glass fibre, within an outer shell. External terminal box IP55. Removable fan body with 3 speed motor, single phase 230V-50/60Hz speed controllable, IP44, Class F, external rota aluminium motor with capacitor and thermal protection.

These fans retain the same philosophy as the rest of the SILENT MV range; to improve comfort whilst achieving a substantial reduction in radiated noise level, without sacrificing airflow performance and ease of installation.

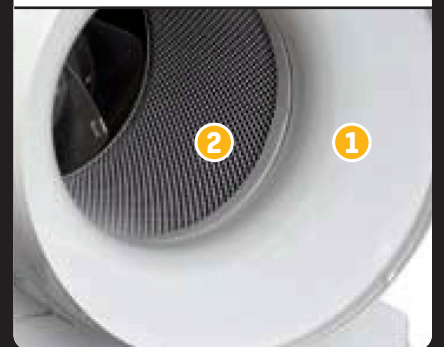
Support Bracket

Suitable for wall or ceiling mounting, fixing brackets to the motor body are included.



Low Noise Level

- 1 Aerodynamic inlet to improve airflow and reduce sound
- 2 Attenuating perforated skin



Technical Data

MODEL/ORDER CODE 	Speed (RPM)		Watts (W)	Amps (A)	Airflow l/s (m3/h)	Max. Working Temp (°C)	dB(A) @ 3m	Ø Duct (mm)
	Low	High						
SILMV160/100S*	Low	2200	18	0.11	42 [150]	40	22	100
	High	2400	29	0.17	50 [180]		24	
SILMV250/100*	Low	1680	21	0.10	56 [200]	40	20	100
	High	2210	27	0.12	69 [250]		25	
SILMV350/125*	Low	1650	21	0.10	72 [260]	40	18	125
	High	2100	27	0.12	92 [330]		23	
SILMV500/150**	Low	1610	45	0.20	97 [350]	60	17	150
	Med	2060	50	0.22	125 [450]		22	
	High	2480	59	0.26	153 [550]		27	
SILMV800/200**	Low	1660	90	0.46	192 [690]	60	22	200
	Med	1870	92	0.47	217 [780]		24	
	High	2170	102	0.50	253 [910]		28	
SILMV1000/200**	Low	1920	122	0.53	219 [790]	60	24	200
	Med	2210	127	0.55	253 [910]		27	
	High	2450	130	0.55	289 [1040]		29	
SILMV1300/250	Low	2030	144	0.60	289 [1040]	60	31	250
	Med	2230	163	0.68	322 [1160]		33	
	High	2530	204	0.85	367 [1320]		36	
SILMV2000/315	Low	2240	190	0.78	411 [1480]	60	36	315
	Med	2490	232	0.97	447 [1610]		38	
	High	2670	293	1.25	492 [1770]		39	

Electrical Accessories

Various speed controllers available. Please contact EnviroVent for further details.

***Single speed timer models also available.**

****Three speed timer model also available.**

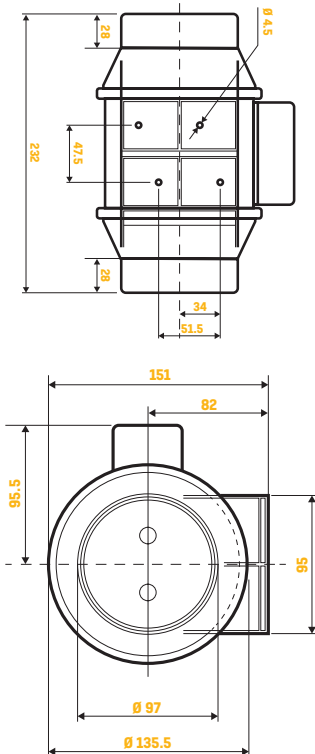


Also available in Ecowatt versions.

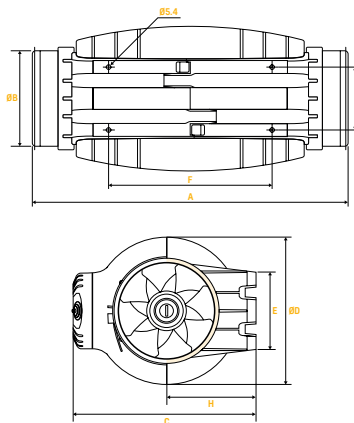
Low energy DC motor with trickle and boost facility. Please contact us for details.


Dimensions (mm)

160/100S | 160/100T

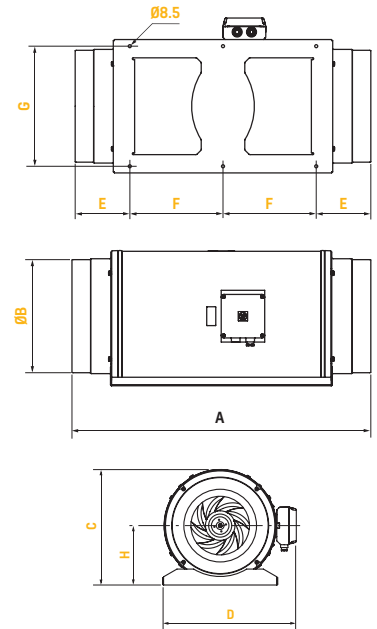



250/100 | 350/125 | 500/150 | 800/200 | 1000/200



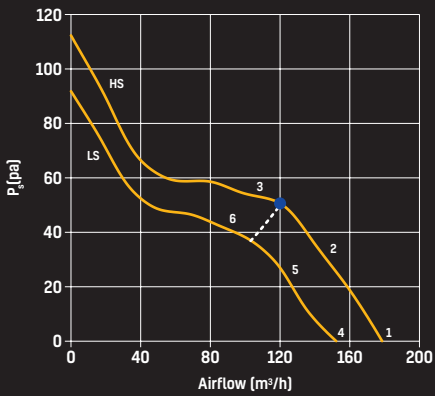
MODEL 	A	ØB	C	ØD	E	F	G	H
SIL MV 250/100	575	97	252	204	100	250	83	121
SIL MV 350/125	462	123	252	204	100	250	83	121
SIL MV 500/150	484	147	274	221	116	250	96	134
SIL MV 800/200	568	198	327	264	145	340	129	164
SIL MV 1000/200	568	198	327	264	145	340	129	164

1300/250 | 2000/315



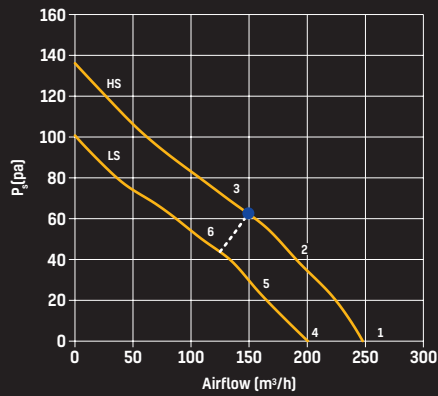
MODEL 	A	ØB	C	D	E	F	G	H
SIL MV 1300/250	680	248	331	387	140	200	280	171
SIL MV 2000/315	825	312	373	432	152	260	335	192

Performance Curve SILENT MV 160/100



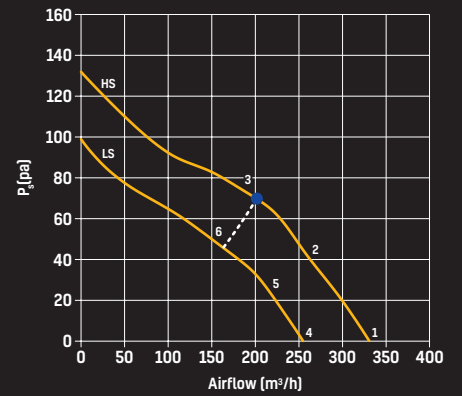
Sound power level spectrum in dB(A)										
Working Point	63	125	250	500	1000	2000	4000	8000	LwA	
1	Inlet	22	34	41	47	53	49	40	31	56
	Outlet	22	43	38	50	51	47	41	32	5
	Break-Out	21	27	41	35	36	40	33	22	45
2	Inlet	21	36	39	47	52	48	39	30	55
	Outlet	22	42	37	50	50	46	41	31	54
	Break-Out	20	29	39	35	35	39	32	21	44
3	Inlet	24	37	41	48	52	47	39	30	55
	Outlet	27	42	38	50	51	45	40	31	55
	Break-Out	23	30	41	36	35	38	32	21	45
4	Inlet	22	31	37	45	51	46	38	29	53
	Outlet	22	38	34	48	49	45	39	29	53
	Break-Out	19	27	36	33	35	38	31	21	45
5	Inlet	21	33	37	45	51	46	37	28	53
	Outlet	22	38	35	48	48	44	38	29	52
	Break-Out	18	29	36	33	34	38	30	20	42
6	Inlet	23	34	39	45	50	45	37	28	53
	Outlet	26	38	36	48	49	44	38	28	53
	Break-Out	20	30	38	33	34	37	30	20	43

Performance Curve SILENT MV 250/100



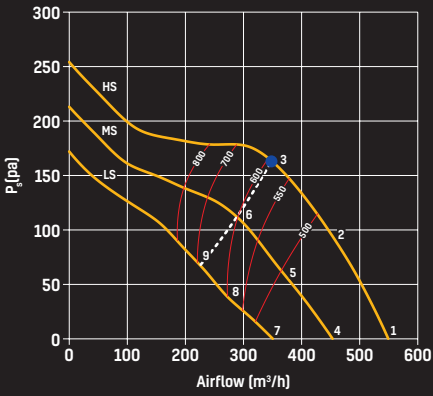
Sound power level spectrum in dB(A)										
Working Point	63	125	250	500	1000	2000	4000	8000	LwA	
1	Inlet	23	30	46	53	52	44	38	30	57
	Outlet	26	32	45	54	47	41	36	29	55
	Break-Out	22	27	41	42	36	31	25	18	46
2	Inlet	24	32	46	52	52	45	38	30	56
	Outlet	24	33	44	52	46	41	37	29	54
	Break-Out	23	29	41	42	36	31	25	18	45
3	Inlet	25	33	42	51	55	47	41	34	57
	Outlet	25	35	40	51	49	42	39	32	54
	Break-Out	23	30	37	40	39	34	27	22	44
4	Inlet	23	33	42	47	48	38	31	25	51
	Outlet	23	33	40	47	42	34	29	24	49
	Break-Out	20	30	36	35	32	24	18	15	40
5	Inlet	25	33	43	46	51	40	33	26	53
	Outlet	23	34	42	47	44	36	32	26	50
	Break-Out	22	31	37	35	34	26	19	16	41
6	Inlet	24	31	39	48	51	43	36	28	54
	Outlet	25	33	38	49	45	38	34	27	51
	Break-Out	22	28	32	37	35	29	22	19	41

Performance Curve SILENT MV 350/125



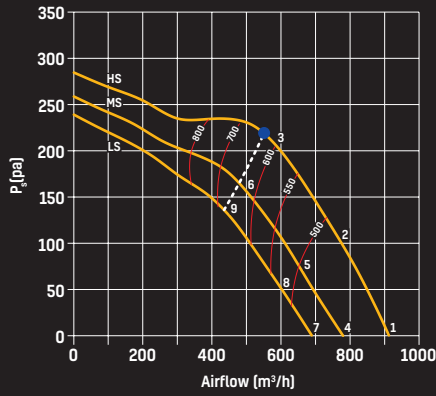
Sound power level spectrum in dB(A)										
Working Point	63	125	250	500	1000	2000	4000	8000	LwA	
1	Inlet	22	26	41	51	51	43	36	29	54
	Outlet	27	28	42	50	51	44	36	28	55
	Break-Out	19	23	34	40	38	30	20	14	43
2	Inlet	21	25	41	50	50	42	37	29	53
	Outlet	25	27	40	49	50	41	35	25	53
	Break-Out	18	22	34	39	37	29	21	15	42
3	Inlet	23	30	45	53	51	46	40	31	56
	Outlet	23	31	44	51	49	43	38	31	54
	Break-Out	20	27	38	42	39	32	24	17	45
4	Inlet	21	24	39	45	46	36	29	25	49
	Outlet	23	25	39	43	44	35	29	24	48
	Break-Out	18	25	32	35	33	22	14	13	39
5	Inlet	21	25	38	44	46	35	31	25	49
	Outlet	22	26	37	42	43	33	29	24	47
	Break-Out	18	25	31	34	34	22	16	13	38
6	Inlet	23	29	40	49	49	41	35	27	52
	Outlet	24	34	40	47	46	38	33	26	50
	Break-Out	19	30	33	38	36	27	20	16	42

Performance Curve SILENT MV 500/150



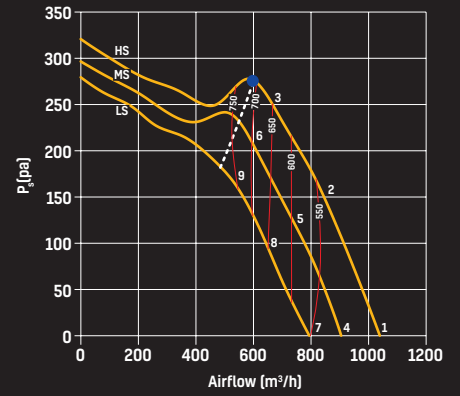
Sound power level spectrum in dB(A)										
Working Point	63	125	250	500	1000	2000	4000	8000	LwA	
1	Inlet	25	35	52	59	59	58	52	46	64
	Outlet	38	38	56	59	58	54	49	43	63
	Break-Out	18	28	41	40	43	41	33	28	47
2	Inlet	24	34	50	57	56	55	48	41	62
	Outlet	33	36	54	56	57	51	45	38	61
	Break-Out	17	26	39	38	40	39	29	24	45
3	Inlet	25	35	49	59	56	54	48	41	62
	Outlet	26	36	53	59	57	49	44	28	62
	Break-Out	18	28	38	40	40	37	29	24	45
4	Inlet	20	31	48	54	54	53	48	41	60
	Outlet	33	34	51	54	54	49	45	39	59
	Break-Out	13	23	36	36	38	36	29	24	43
5	Inlet	19	29	45	52	52	51	43	36	57
	Outlet	28	31	49	52	53	46	40	34	57
	Break-Out	12	21	34	33	35	34	24	19	40
6	Inlet	20	30	45	54	51	50	43	36	57
	Outlet	21	32	49	54	52	45	39	24	57
	Break-Out	14	23	33	35	35	33	24	19	40
7	Inlet	15	25	42	49	49	48	42	36	54
	Outlet	28	28	46	49	48	44	39	33	54
	Break-Out	8	18	31	30	33	31	23	18	38
8	Inlet	13	23	40	46	46	45	37	30	51
	Outlet	22	25	43	46	47	40	34	28	51
	Break-Out	7	16	28	28	29	28	18	13	34
9	Inlet	15	25	39	49	46	44	38	31	52
	Outlet	16	26	43	49	47	39	34	18	52
	Break-Out	8	17	28	30	29	27	19	13	35

Performance Curve SILENT MV 800/200



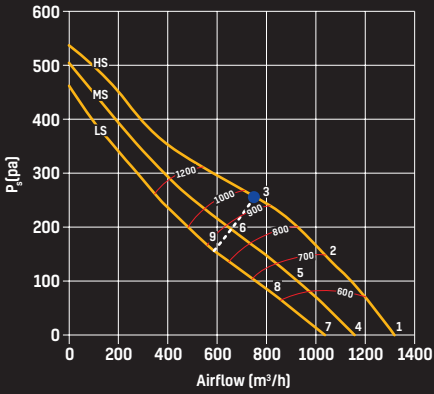
Sound power level spectrum in dB(A)										
Working Point	63	125	250	500	1000	2000	4000	8000	LwA	
1	Inlet	27	40	49	60	61	62	57	51	66
	Outlet	44	46	51	60	64	63	60	53	69
	Break-Out	18	34	35	42	45	41	32	24	48
2	Inlet	26	38	47	57	59	59	54	47	64
	Outlet	42	45	50	60	63	61	58	51	67
	Break-Out	18	32	33	40	42	39	29	20	46
3	Inlet	26	40	50	60	61	60	56	50	66
	Outlet	33	40	51	60	61	59	55	49	65
	Break-Out	18	33	36	43	44	40	30	23	48
4	Inlet	23	36	45	56	58	58	54	47	63
	Outlet	41	43	48	57	61	60	56	49	65
	Break-Out	14	30	31	39	41	38	28	20	45
5	Inlet	23	35	43	54	56	56	51	44	61
	Outlet	39	41	47	56	59	58	54	47	63
	Break-Out	14	29	29	36	39	36	25	17	42
6	Inlet	24	37	47	58	58	58	53	47	63
	Outlet	30	37	48	57	58	56	52	46	63
	Break-Out	15	31	33	41	42	38	27	20	45
7	Inlet	20	34	43	53	55	55	51	44	60
	Outlet	38	40	45	54	58	57	54	47	62
	Break-Out	12	28	29	36	38	35	25	17	42
8	Inlet	20	32	41	51	53	53	48	41	58
	Outlet	36	39	44	54	57	55	52	45	61
	Break-Out	12	26	27	34	36	33	23	14	40
9	Inlet	22	35	45	56	56	56	51	45	61
	Outlet	28	35	46	55	56	54	50	44	60
	Break-Out	13	29	31	38	39	35	25	18	43

Performance Curve SILENT MV 1000/200



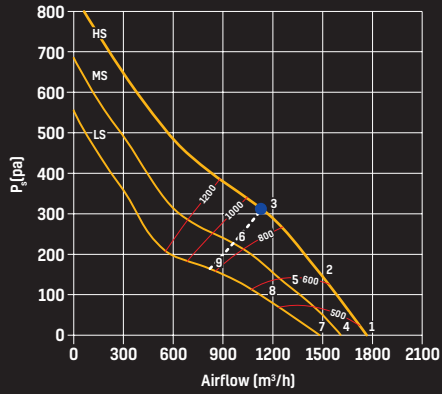
Sound power level spectrum in dB(A)										
Working Point	63	125	250	500	1000	2000	4000	8000	LwA	
1	Inlet	27	40	50	60	62	64	60	53	68
	Outlet	46	47	54	61	66	65	62	55	70
	Break-Out	17	33	35	44	45	43	35	28	49
2	Inlet	27	38	49	59	61	62	56	49	66
	Outlet	41	43	52	59	63	61	57	50	67
	Break-Out	16	31	34	42	43	40	31	24	47
3	Inlet	28	41	54	63	63	62	58	51	68
	Outlet	32	41	55	62	62	59	56	47	67
	Break-Out	17	33	39	46	45	41	33	26	50
4	Inlet	26	39	49	59	61	63	58	51	67
	Outlet	44	46	53	59	64	64	61	53	69
	Break-Out	15	32	34	43	43	41	33	26	48
5	Inlet	25	37	47	57	59	61	55	48	65
	Outlet	39	42	50	58	62	60	56	49	66
	Break-Out	15	29	33	41	42	39	30	23	46
6	Inlet	26	39	52	61	61	61	56	50	67
	Outlet	31	39	54	60	61	58	54	46	65
	Break-Out	16	32	37	45	43	39	31	24	48
7	Inlet	23	36	46	56	58	60	55	48	64
	Outlet	41	43	50	56	61	61	58	50	66
	Break-Out	12	29	31	40	40	38	30	23	45
8	Inlet	23	34	45	54	57	58	52	45	62
	Outlet	37	39	47	55	59	57	53	46	63
	Break-Out	12	26	30	38	39	36	27	20	43
9	Inlet	24	37	50	59	59	58	54	47	64
	Outlet	28	37	52	58	58	55	52	43	63
	Break-Out	13	20	35	43	41	37	29	22	46

Performance Curve SILENT MV 1300/250



Sound power level spectrum in dB(A)										
Working Point	63	125	250	500	1000	2000	4000	8000	LWA	
1	Inlet	30	42	60	59	62	61	58	52	67
	Outlet	33	45	60	68	72	65	54	48	74
	Break-Out	26	31	46	42	55	48	39	38	57
2	Inlet	32	43	62	60	61	60	56	51	67
	Outlet	30	46	61	69	71	63	52	47	74
	Break-Out	28	32	48	43	54	47	37	37	56
3	Inlet	36	47	63	60	58	58	55	48	67
	Outlet	32	51	62	69	67	60	51	44	72
	Break-Out	32	36	49	43	51	45	36	34	54
4	Inlet	27	39	57	56	59	58	55	49	65
	Outlet	30	42	57	65	69	62	51	45	72
	Break-Out	23	28	43	39	52	45	36	35	54
5	Inlet	29	40	59	57	58	57	53	48	64
	Outlet	27	43	58	66	68	60	49	44	71
	Break-Out	25	29	45	40	51	44	34	34	53
6	Inlet	33	44	60	57	55	55	52	45	64
	Outlet	29	48	59	66	64	57	48	41	69
	Break-Out	29	33	46	40	48	42	33	31	51
7	Inlet	25	37	55	54	57	56	53	47	63
	Outlet	28	40	55	63	67	60	49	43	70
	Break-Out	21	26	41	37	50	43	34	33	52
8	Inlet	27	38	57	55	56	55	51	46	62
	Outlet	25	41	56	64	66	58	47	42	69
	Break-Out	23	27	43	38	49	42	32	32	51
9	Inlet	31	42	58	55	53	53	50	43	62
	Outlet	27	46	57	64	62	55	46	39	67
	Break-Out	27	31	44	38	46	40	31	29	49

Performance Curve SILENT MV 2000/315



Sound power level spectrum in dB(A)										
Working Point	63	125	250	500	1000	2000	4000	8000	LWA	
1	Inlet	34	48	60	63	66	64	59	55	70
	Outlet	42	54	67	69	73	66	52	49	76
	Break-Out	23	36	44	50	57	54	49	43	60
2	Inlet	34	49	63	62	65	64	60	55	70
	Outlet	38	55	66	67	73	65	51	49	75
	Break-Out	23	37	47	49	56	54	50	43	60
3	Inlet	37	56	64	63	63	62	58	52	70
	Outlet	36	61	68	71	68	62	49	46	74
	Break-Out	26	44	48	50	54	52	48	40	58
4	Inlet	32	46	58	61	64	62	57	53	69
	Outlet	40	52	65	67	71	64	50	47	74
	Break-Out	21	34	42	48	55	52	47	41	58
5	Inlet	32	47	61	60	63	62	58	53	68
	Outlet	36	53	64	65	71	63	49	47	73
	Break-Out	21	35	45	47	54	52	48	41	57
6	Inlet	34	53	61	60	60	59	55	49	67
	Outlet	33	58	65	68	65	59	46	43	71
	Break-Out	23	41	45	47	51	49	45	37	55
7	Inlet	30	44	56	59	62	60	55	51	66
	Outlet	38	50	63	65	69	62	48	45	72
	Break-Out	19	32	40	46	53	50	45	39	56
8	Inlet	29	44	58	57	60	59	55	50	65
	Outlet	33	50	61	62	68	60	46	44	70
	Break-Out	18	32	42	44	51	49	45	38	54
9	Inlet	30	49	57	56	56	55	51	45	63
	Outlet	29	54	61	64	61	55	42	39	67
	Break-Out	19	37	41	43	47	45	41	33	51



envirovent®

Leaders in the manufacture of innovation and sustainable ventilation

EnviroVent Ltd
Harrogate West Business Park
Unit 1 Bardner Bank
Killinghall, Harrogate
HG3 2SP

T / 01423 810 810
E / enquiries@envirovent.com
W / www.envirovent.com

Due to our policy of continuous innovation and improvement, EnviroVent reserves the right to alter products specification and appearance without notice.

E&OE | MKT ENV553- V3 - 17/03/2025

Copyright © EnviroVent Ltd 2025



Follow us on
facebook



Follow us on
twitter



Watch us on
Youtube



Follow us on
Instagram



Find us on
LinkedIn

