

TECHNICAL DATA SHEET Cyclone 7 | WC, Bathroom & Kitchen Fan



PRODUCT

Innovative centrifugal extract fan unit which has been designed to deliver a low maintenance, easy to use and low energy ventilation solution which is suitable across all wet rooms in the property.

APPLICATION SUITABILITY

Can be wall, ceiling, window or duct mounted to comply with current Building Regulations. The one fan will ventilate any domestic kitchen, utility room or bathroom and is supplied in a 230V or SELV format.

MOTOR

Incorporates the Ultra Low Watt DC motor technology with sealed for life ball bearings designed to operate continuously at a pre-set 'background' rate.

SERVICING / MAINTENANCE

Achieved by removal/exchange/replacement of central cartridge. Rear carcass remains in position ensuring minimal disruption to occupier and no electrical competence or redecoration required. The fan can be cleaned by removing the quick release impeller.

WARRANTY

Covered by an on-going, repeatable 7 year warranty, subject to the completion of specified maintenance.

CONTROLS

Continuous running 2-speed filterless fan with integral variable speed and Intellitrac® humidity tracking system. The fan should either have a pullcord override, or the IQ wireless version for odour control.

KEY FEATURES

- ✓ Unique patented cartridge system
- ✓ Filterless technology
- ✓ Ultra Low Watt motor technology
- ✓ Patented helical power expansion chamber
- ✓ Automatic vapour tracking function
- ✓ SELV models available
- ✓ 7 year warranty
- ✓ Designed for the life of the building
- ✓ Versatile and flexible
- ✓ Ideal for all applications
- ✓ Environmentally friendly
- ✓ Low maintenance
- ✓ Low life-cycle costings
- ✓ Easy to clean
- ✓ Whisper quiet running

WIRING

The fan is pre-wired with 1 metre of flexible cable to speed up installation. The SELV version is provided with a short length of low voltage cable.

ACCREDITATIONS

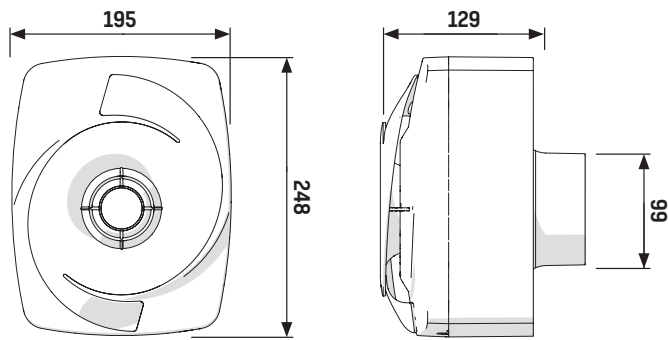
Conforms to the requirements of the UK Building Regulations and the Technical Standards for Ventilation.

UKCA and CE marked

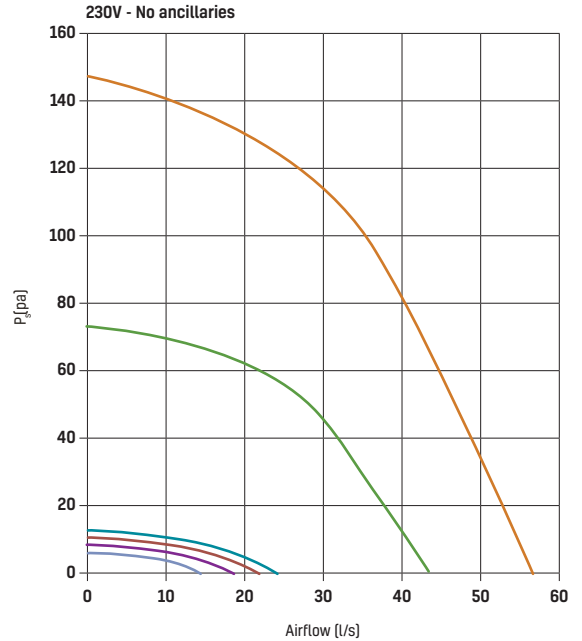
TECHNICAL DATA SHEET

Cyclone 7 | WC, Bathroom & Kitchen Fan

SIZE (MM)



PERFORMANCE CURVE



- KEY**
- Kitchen Trickle
 - Kitchen Boost
 - Bathroom Trickle Plus
 - Kitchen Trickle Plus
 - Bathroom Trickle
 - Bathroom Boost

PERFORMANCE & SOUND LEVELS*

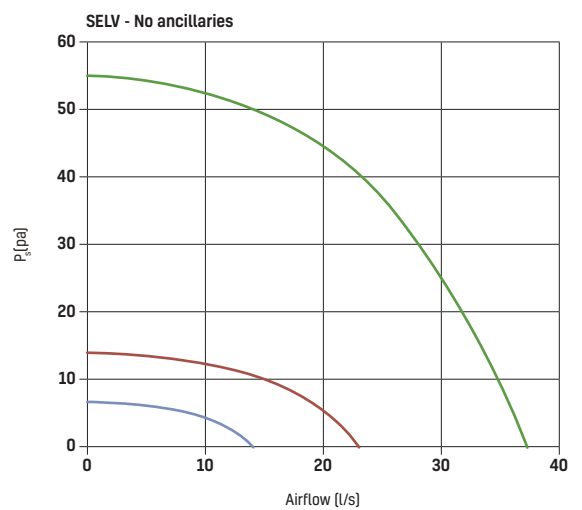
Airflow Performance - 230V

Settings	Power (W)	Duty (l/s)	Sound dB(A) @ 3m
Bathroom Trickle*	3	14	12.72
Bathroom Trickle+	4	21	19.37
Bathroom Boost*	14	41	34.96
Kitchen Trickle	3	19	16.52
Kitchen Trickle+	4	22	19.18
Kitchen Boost	30	55	45.26

Airflow Performance - SELV

Settings	Power (W)	Duty (l/s)	Sound dB(A) @ 3m
Bathroom Boost*	14	37	34.96
Bathroom Trickle	3	14	12.72
Bathroom Trickle+	4	21	19.37

*Performance under free air condition (0Pa).



- KEY**
- Bathroom Boost
 - Bathroom Trickle
 - Bathroom Trickle Plus